



CAISO Metering

Business Value

- End-to-end project support from concept through certification.
- Guidance through CAISO's NRI process.
- Turnkey solutions including meter network architecture, configuration, panel fabrication, installation, point-to-point testing, and certification.
- Field-proven meter technicians and certified meter inspectors.
- Certified excellence:
 - CAISO-certified metermen and inspectors
 - CA licensed C-10 Electrical Contractor #816159
 - Meter Service Provider (MSP) certified by the California Public Utilities Commission

The Key to Power Production Payments

As the "cash register" of the electric industry, power meters support equitable settlements and energy decisions. It literally pays to get it right!

So who do you trust with millions of dollars on the line?

Trimark's metermen apply more than 200 years of combined experience in configuration, testing and certification. Key team members are veterans of CAISO, PG&E, SCE, SMUD, NCPA, WAPA and SRP.

Trimark's turnkey solutions include metering network architecture, equipment selection, configuration, installation, testing and certification.

CAISO Revenue Metering

Trimark provides turnkey, CAISO-certified metering solutions including full support through CAISO's entire testing and certification process.

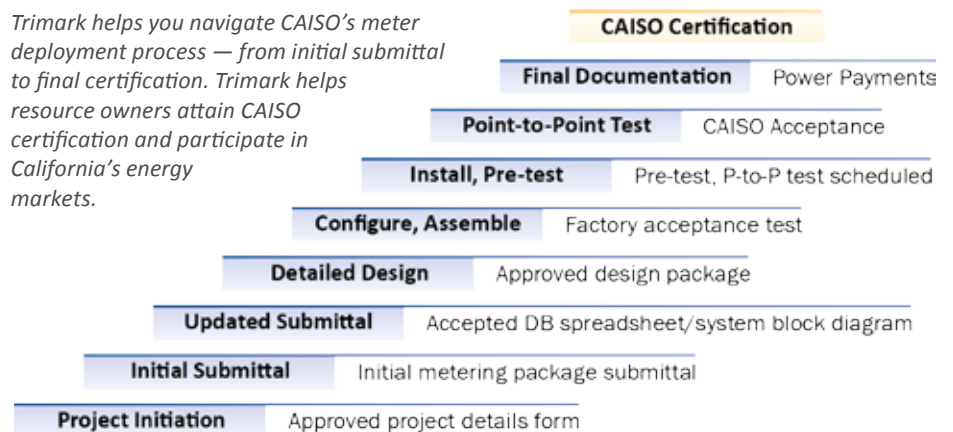


In California, new generation resources must follow CAISO's New Resource Implementation (NRI) process – more than 40 steps of approval and certification that span more than 200 days.

Through every step of the process, from application to final certification, we'll be there!

Guidance for Successful CAISO Meter Deployment and Certification

Trimark helps you navigate CAISO's meter deployment process — from initial submittal to final certification. Trimark helps resource owners attain CAISO certification and participate in California's energy markets.



For all your mission critical solutions — we'll be there!

Metering Services

- Selection of best-fit revenue meters:
 - Schneider Electric ION 8650
 - SEL (Schweitzer) 735
 - Landis+Gyr MAXsys 2510
 - Schlumberger Q1000
 - TransData Mark V
 - Shark
 - Elster
 - Nexus 1262, Nexus 1272
- Engineering documents:
 - Single Line Diagram
 - Three Line Diagram
 - Scheme Description
 - Panel Drawing
 - Wiring Diagram
 - Communications Network
 - Certification Forms
 - Site Verification Data Sheets
 - Maintenance forms
- UL-certified panel assembly and factory testing.
- Meter commissioning:
 - Program design and configuration
 - Installation and testing
 - Confirm field wiring for both power and data communications
 - Complete installation form
 - Inspection
 - Certify and seal installation
- Troubleshooting and issue resolution.
- Planned and emergency meter maintenance.

Advanced Metering & Dynamic Loss

Trimark is the industry leader in metering solutions to address complex line-loss challenges.

Trimark systems calculate losses for multiple sites and shared transmission to ensure accurate and equitable accounting for financial settlements.

Commercial-Industrial Metering

Trimark provides end-to-end metering solutions used to:

- Support rebate programs;
- Guide conservation efforts;
- Build electricity time-of-use profiles and billing determinants;
- Identify energy use for part of a campus, a building, or equipment;
- Study energy consumption patterns.

Grid-Tie and City Gate Metering

At the intersection of regional or municipal electrical grids, billions of dollars changes hands. Trimark delivers impartial grid-tie and city gate metering solutions that are independently configured, tested and certified.

Meter Data Management Agent

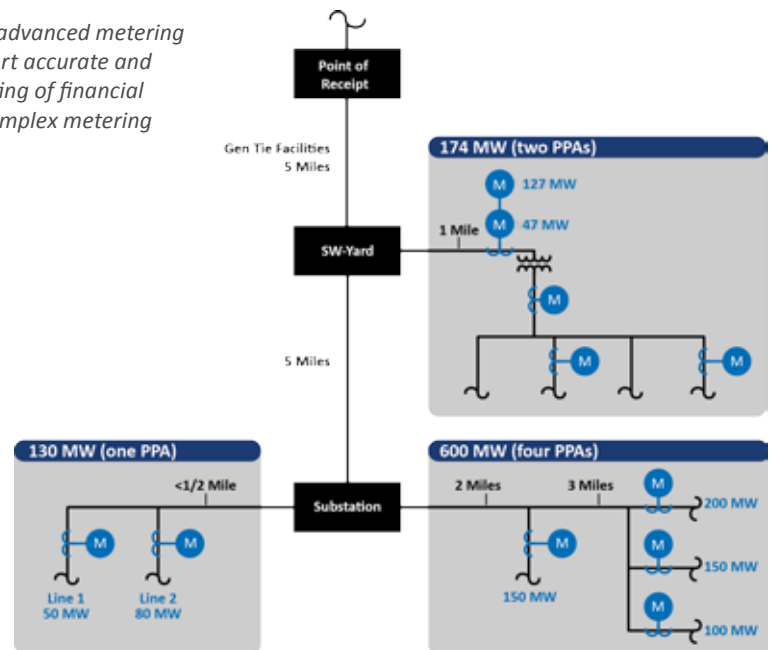
Trimark provides automated meter reading and data presentation services. Our analysts support data Validation, Estimation and Editing (VEE) and are authorized to provide submittals to CSI, WREGIS, SGIP, and CAISO.

Meter Maintenance

Trimark provides planned maintenance and emergency services. Our experts ensure meter accuracy and integrity.

Advanced Metering Solutions for Complex Line-loss Challenges

Trimark develops advanced metering solutions to support accurate and equitable accounting of financial settlements for complex metering architecture.



A Proven Player in the Energy Market

Trimark Associates, Inc. develops reliable, affordable business and operational solutions that support compliance and optimization of power production.

Northern CA: 916.357.5970
Southern CA: 818.963.4695
Virginia: 757.855.1040

Info@TrimarkAssoc.com
www.TrimarkAssoc.com

